



Save These Instructions for Future Reference



# Deck Installed Inground

ALL CONNECTIONS TO BE CARRIED OUT BY A QUALIFIED ELECTRICIAN  
PLEASE READ CAREFULLY BEFORE STARTING INSTALLATION.



## ⚠ WARNING

**ELECTRIC SHOCK HAZARD**  
This equipment is to be serviced by trained personnel only.

Remote Electronic Control Device

## Deck Installed Inground

Save These Instructions for Future Reference

Electrical products can cause death, injury, or damage to property. Installation of this product must be carried out by a qualified electrician, in compliance with SANS 10142 or corresponding regulations of the country of installation. On completion of installation, the Certificate of Compliance must be updated.

**WARNING:** TO AVOID FIRE, SHOCK OR DEATH

**TURN OFF POWER** AT CIRCUIT BREAKER OR FUSE AND TEST THAT THE POWER IS OFF BEFORE WIRING

ALL LUMINAIRES SUPPLIED AND TO BE INSTALLED ABOVE AND BELOW 5 METERS ARE IN COMPLIANCE WITH SANS 60598 SECTION 3.5.6 ACCORDING TO THE MANUFACTURER GUARANTEE AND WARRANTY

Regent Lighting reserves the right to change specifications modify designs and discontinue items without incurring obligation and whilst every effort is made to ensure that descriptions, specifications and other information in this catalogue are correct, no warranty is given in respect thereof and the company shall not be liable for any error therein.

[www.regentlight.co.za](http://www.regentlight.co.za)

REGENT LIGHTING A DIVISION  
OF WAHL INDUSTRIES.

3 - 13 MAIN REEF SERVICE ROAD, CORNER  
SPRINGBOK AND MAIN REEF ROAD, INDUSTRIAL,  
JOHANNESBURG, SOUTH AFRICA.  
TEL : +27 11 474 0171

June 2017

## INSTALLATION INSTRUCTIONS

PLEASE READ CAREFULLY BEFORE STARTING INSTALLATION.  
ALL CONNECTIONS TO BE CARRIED OUT BY A QUALIFIED ELECTRICIAN



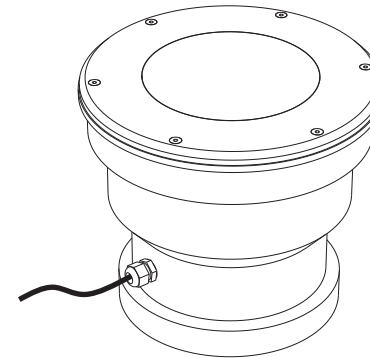
## ⚠ WARNING

**ELECTRIC SHOCK HAZARD**  
This equipment is to be serviced by trained personnel only.

Electronic Control Device

## DO NOT CONNECT THE LUMINAIRE LIVE

1



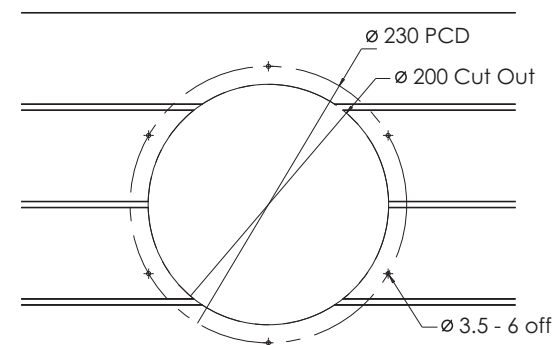
Requirements:

- Be sure the electricity to the system you are working on is turned off.

Receive the complete fitting with an electrical cable tail.

Select the required position for the luminaire.

2



Create a hole for fitting in the ground at the required position.

Make cut out in decking as per specified dimensions.

\*Ensure mounting holes intersect the actual wood of the decking



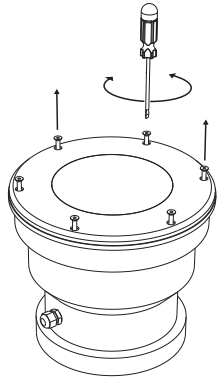
## Important Safety Instructions

- This product should be installed by a competent person i.e. Qualified electrician.
- This product requires a constant stable electrical supply 220V - 240V VAC 50Hz - alternating current.
- The product must be regularly maintained, including the replacement of lamps/LED timeously.
- This product could be HAZARDOUS if not used correctly, it could cause electric shock, serious bodily harm or death.
- This product is not a toy, please keep away from children.
- This product may contain small parts that can be swallowed.



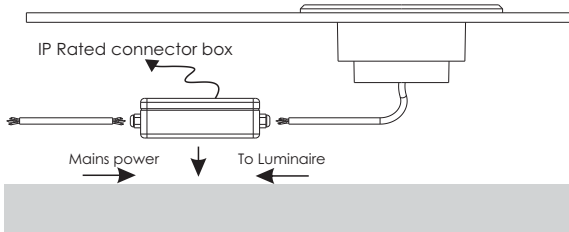
- Use only the correct light bulbs/LED as stipulated on the carton for the product.
- Any modifications of this product after supply will result in the guarantee being void.
- Spare parts may become unavailable over time. Items can vary slightly from the picture on the carton
- Coastal humidity can affect the longevity of the light fitting over time.
- Be sure to follow the steps in the order given.
- Read instructions carefully.

3



Remove the CSK stainless steel screws from the complete fitting, before wiring.

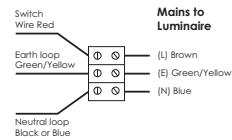
4



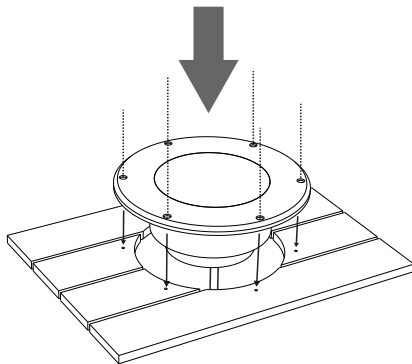
Make connection to driver inside IP Rated Connector box and place the connector box on a level surface

Connect the Switched Live (S/A), Neutral (N) and Earth (E) cable(s) to the terminal block.

SWITCHED ACTIVE/LIVE – (Red or Brown) to terminal marked L  
 NEUTRAL – (Black or Blue) to terminal marked N  
 EARTH – (Green/Yellow) to terminal marked E.



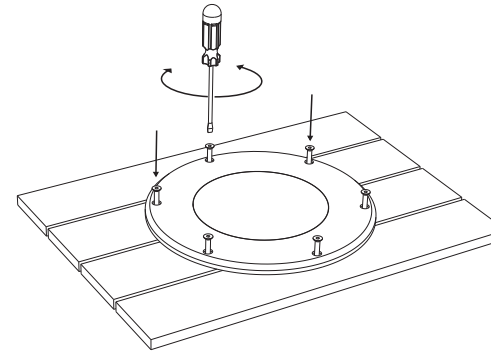
5



Align and fasten the inground onto the mounting surface.

Ensure the fitting is aligned with the mounting holes, completed in step 2.

6



Align and fasten the fitting to the outer casing with the CSK stainless steel screws to the mounting surface.

Ensure the gasket is securely in place before fastening the fitting.

7

Switch on power supply.

