



Save These Instructions for Future Reference



Bedford Bollard - Plinth Mounted

ALL CONNECTIONS TO BE CARRIED OUT BY A QUALIFIED ELECTRICIAN
PLEASE READ CAREFULLY BEFORE STARTING INSTALLATION.



⚠ WARNING

Electronic/Magnetic Control Device

ELECTRIC SHOCK HAZARD
This equipment is to be serviced by trained personnel only.

Bedford Bollard - Plinth Mounted

Save These Instructions for Future Reference

Electrical products can cause death, injury, or damage to property. Installation of this product must be carried out by a qualified electrician, in compliance with SANS 10142 or corresponding regulations of the country of installation. On completion of installation, the Certificate of Compliance must be updated.

WARNING: TO AVOID FIRE, SHOCK OR DEATH

TURN OFF POWER AT CIRCUIT BREAKER OR FUSE AND TEST THAT THE POWER IS OFF BEFORE WIRING

ALL LUMINAIRES SUPPLIED AND TO BE INSTALLED ABOVE AND BELOW 5 METERS ARE IN COMPLIANCE WITH SANS 60598 SECTION 3.5.6 ACCORDING TO THE MANUFACTURER GUARANTEE AND WARRANTY

Regent Lighting reserves the right to change specifications modify designs and discontinue items without incurring obligation and whilst every effort is made to ensure that descriptions, specifications and other information in this catalogue are correct, no warranty is given in respect thereof and the company shall not be liable for any error therein.

www.regentlight.co.za

REGENT LIGHTING A DIVISION OF WAHL INDUSTRIES.

3 - 13 MAIN REEF SERVICE ROAD, CORNER
SPRINGBOK AND MAIN REEF ROAD, INDUSTRIAL,
JOHANNESBURG, SOUTH AFRICA.
TEL : +27 11 474 0171

December 2017

INSTALLATION INSTRUCTIONS

PLEASE READ CAREFULLY BEFORE STARTING INSTALLATION.
ALL CONNECTIONS TO BE CARRIED OUT BY A QUALIFIED ELECTRICIAN



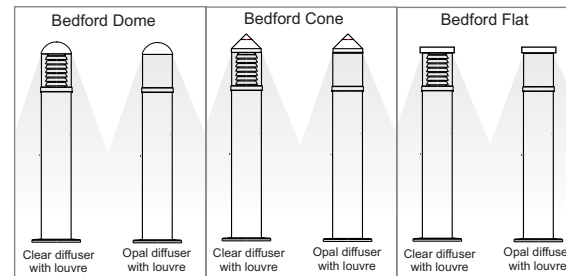
⚠ WARNING

Electronic/Magnetic Control Device

ELECTRIC SHOCK HAZARD
This equipment is to be serviced by trained personnel only.

DO NOT CONNECT THE FITTING LIVE

1



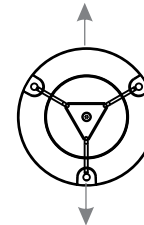
Requirements:

- Be sure the electricity to the system you are working on is isolated.
- If the main supply power (live) is on, it will cause damage to the luminaire.

1. Select the required position for the luminaire, towards the pathway.

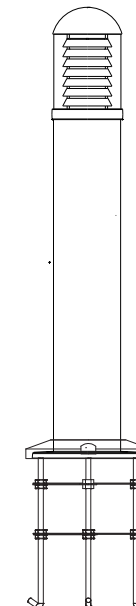
A. Ensure the electrical cable is fed through the mounting hole where the bollard will be installed.

SERVICE/ACCESS DOOR DIRECTION



PATHWAY/LIGHT SOURCE DIRECTION

BOLT CAGE ORIENTATION



Ground Level

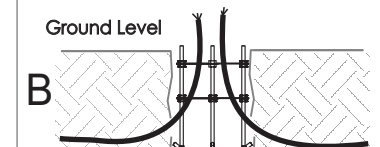
A



B. Insert the bolt cage into the mounting hole and feed the electrical cable through the bolt cage towards the surface, ensuring the cable is fed parallel to the pathway.

Ground Level

B





Important Safety Instructions

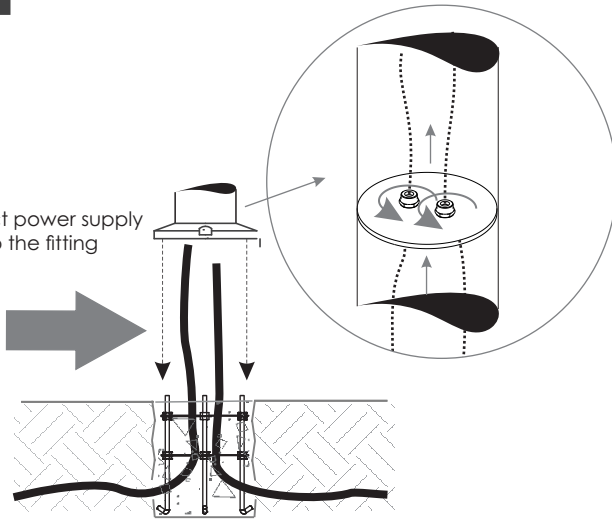
- This product should be installed by a competent person i.e. Qualified electrician.
- This product requires a constant stable electrical supply 220V - 240V VAC 50Hz - alternating current.
- The product must be regularly maintained, including the replacement of lamps/LED timeously.
- This product could be HAZARDOUS if not used correctly, it could cause electric shock, serious bodily harm or death.
- This product is not a toy, please keep away from children.
- This product may contain small parts that can be swallowed.



- Use only the correct light bulbs/LED as stipulated on the carton for the product.
- Any modifications of this product after supply will result in the guarantee being void.
- Spare parts may become unavailable over time. Items can vary slightly from the picture on the carton
- Coastal humidity can affect the longevity of the light fitting over time.
- Be sure to follow the steps in the order given.
- Read instructions carefully.

2

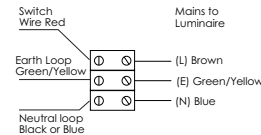
Connect power supply into the fitting



2. Remove the access door. Feed the cable from the ground through the glands at the bottom of the fitting to the access door.

Connect the Switched Live (S/A), Neutral (N) and Earth (E) cable(s) to the MCB and connector block in the access door.

SWITCHED LIVE – (Red or Brown) to terminal marked L
 NEUTRAL – (Black or Blue) to terminal marked N
 EARTH – (Green/Yellow) to terminal marked E.

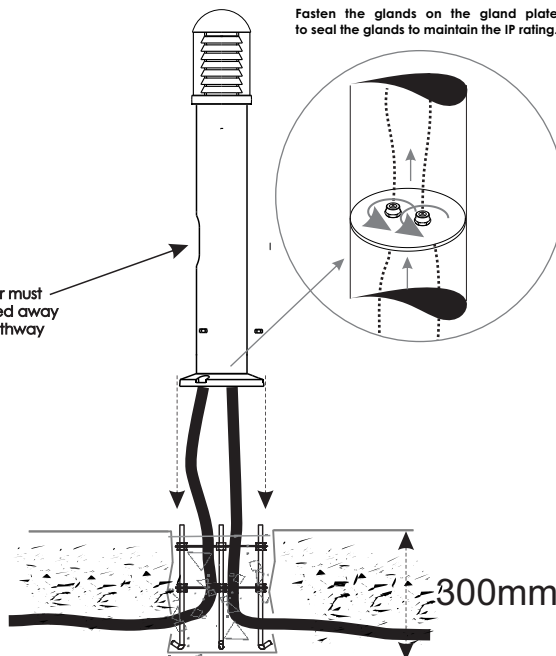


Once complete, fasten the glands on the gland plate to seal the glands to maintain the IP rating.

3

Fasten the glands on the gland plate to seal the glands to maintain the IP rating.

Access door must be positioned away from the pathway



3. Ensure the gland is fastened before fastening the bollard to the plinth.

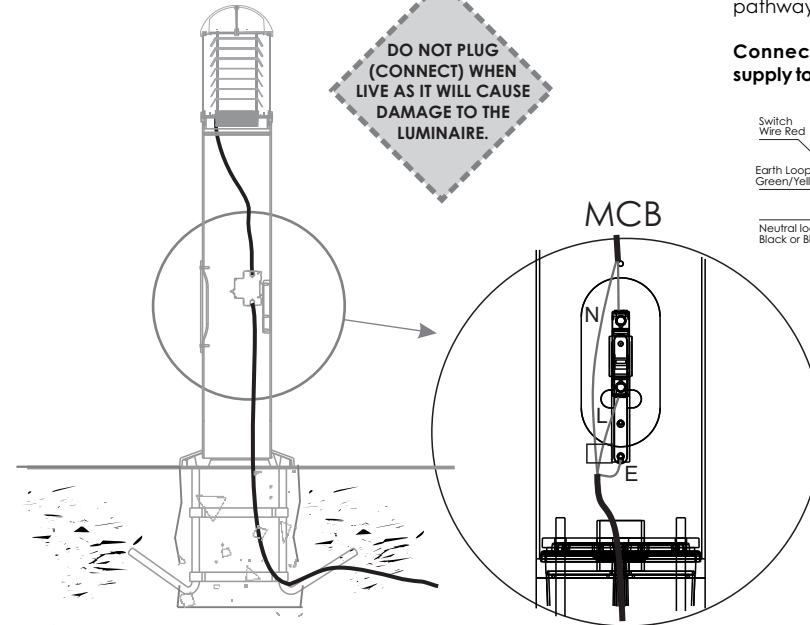
Fix the base mounting to the required position with the fasteners provided.

Ensure the bollard is aligned correctly to the base and the light source is positioned towards the pathway.

Neatly place the cable joint into the bolt cage.

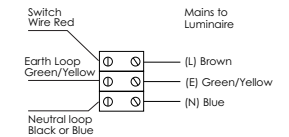


4



4. Ensure that there are no exposed conductors, loose strands or trapped insulation and that the fitting is facing the correct way, towards the pathway.

Connect the main power supply to the MCB



5

5. Switch on the power supply.

