

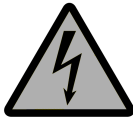


Save These Instructions for Future Reference



Lugo

ALL CONNECTIONS TO BE CARRIED OUT BY A QUALIFIED ELECTRICIAN
PLEASE READ CAREFULLY BEFORE STARTING INSTALLATION.



⚠ WARNING

Electronic Control Device

ELECTRIC SHOCK HAZARD
This equipment is to be serviced by trained personnel only.

Lugo

Save These Instructions for Future Reference

Electrical products can cause death, injury, or damage to property. Installation of this product must be carried out by a qualified electrician, in compliance with SANS 10142 or corresponding regulations of the country of installation. On completion of installation, the Certificate of Compliance must be updated.

WARNING: TO AVOID FIRE, SHOCK OR DEATH
TURN OFF POWER AT CIRCUIT BREAKER OR FUSE AND TEST THAT THE POWER IS OFF BEFORE WIRING

ALL LUMINAIRES SUPPLIED AND TO BE INSTALLED ABOVE AND BELOW 5 METERS ARE IN COMPLIANCE WITH SANS 60598 SECTION 3.5.6 ACCORDING TO THE MANUFACTURER GUARANTEE AND WARRANTY

Regent Lighting reserves the right to change specifications modify designs and discontinue items without incurring obligation and whilst every effort is made to ensure that descriptions, specifications and other information in this catalogue are correct, no warranty is given in respect thereof and the company shall not be liable for any error therein.

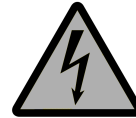
www.regentlight.co.za

REGENT LIGHTING A DIVISION OF WAHL INDUSTRIES.

3 - 13 MAIN REEF SERVICE ROAD, CORNER
SPRINGBOK AND MAIN REEF ROAD, INDUSTRIAL,
JOHANNESBURG, SOUTH AFRICA.
TEL : +27 11 474 0171

INSTALLATION INSTRUCTIONS

PLEASE READ CAREFULLY BEFORE STARTING INSTALLATION.
ALL CONNECTIONS TO BE CARRIED OUT BY A QUALIFIED ELECTRICIAN

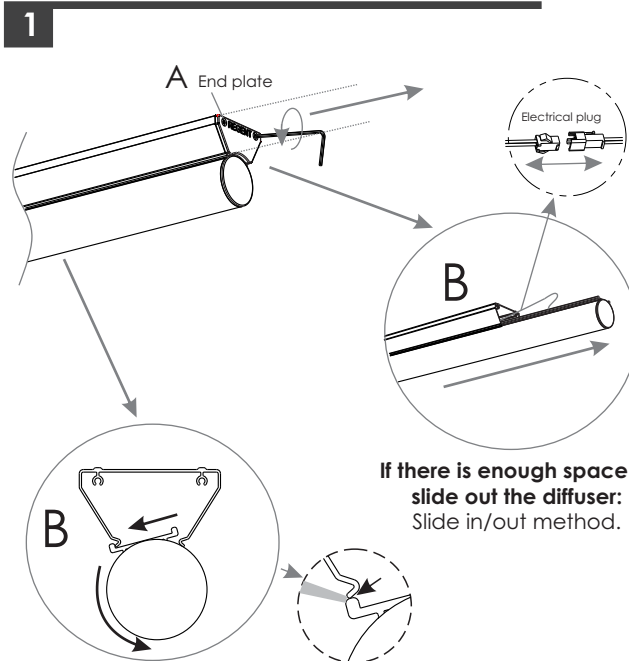


⚠ WARNING

Electronic Control Device

ELECTRIC SHOCK HAZARD
This equipment is to be serviced by trained personnel only.

DO NOT CONNECT THE FITTING LIVE



Requirements:

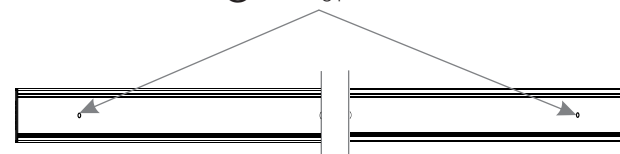
- Be sure the electricity to the system you are working on is isolated.
- If the main supply power (live) is on, it will cause damage to the luminaire.

1.A. Remove the end plates using an allen key. B. Slide the diffuser out or unclip the diffuser using the spatula (supplied) and **disconnect the electrical plug.**

C. Select the required position for the luminaire according to the IP rating, using the fitting as a template, to the desired surface. Drill the locating mounting holes.

Remote driver should NOT be installed underneath the ceiling insulation.

C Mounting points





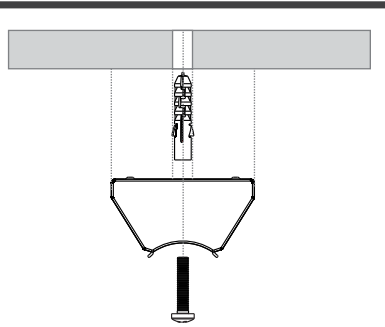
Important Safety Instructions

- This product should be installed by a competent person i.e. Qualified electrician.
- This product requires a constant stable electrical supply 220V - 240V VAC 50Hz - alternating current.
- The product must be regularly maintained, including the replacement of lamps/LED timeously.
- This product could be HAZARDOUS if not used correctly, it could cause electric shock, serious bodily harm or death.
- This product is not a toy, please keep away from children.
- This product may contain small parts that can be swallowed.



- Use only the correct light bulbs/LED as stipulated on the carton for the product.
- Any modifications of this product after supply will result in the guarantee being void.
- Spare parts may become unavailable over time. Items can vary slightly from the picture on the carton
- Coastal humidity can affect the longevity of the light fitting over time.
- Be sure to follow the steps in the order given.
- Read instructions carefully.

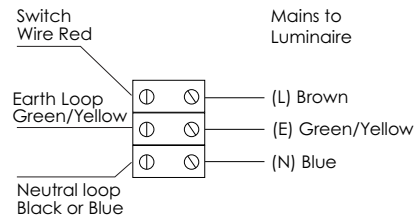
2



2. Feed electrical wire/power into the fitting through the cable entry hole from the mounting surface.

Fix the fitting to the surface with the screws/wall plugs provided, into the locating holes.

3



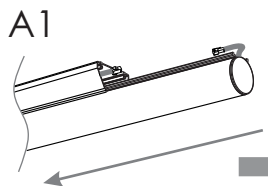
3. Connect the Switched Live (S/L), Neutral (N) and Earth (E) cable(s) to the terminal block, located on the mounting surface.

SWITCHED LIVE – (Red or Brown) to terminal marked L
NEUTRAL – (Black or Blue) to terminal marked N
EARTH – (Green/Yellow) to terminal marked E.

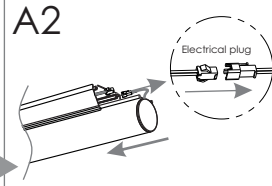
Ensure that there are no exposed conductors, loose strands or trapped insulation.

4 A

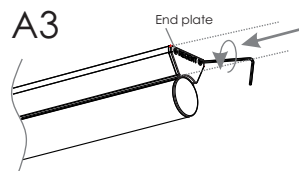
If there is enough space*,
Slide in and out method



A1: Slide the diffuser into the extrusion in the locating slots, up to the electrical plug.



A2: Connect the electrical plug from the control gear to the LED (diffuser). Neatly place the electrical plug into the fitting. And slide in the remaining diffuser into the extrusion.



A3: Fasten the end plates to the fitting using an allen key.
Ensure the diffuser is securely in place.

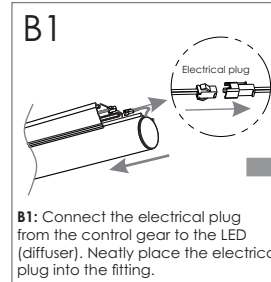
4. **A:** If sliding in/out the diffuser in the locating slots is possible then **complete A1, A2 and A3.**

Ensure the electrical cables does not get trapped between the fitting and the diffuser.

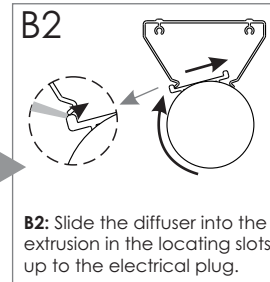


4 B

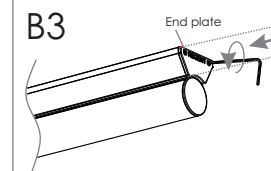
If there is not enough space to slide the diffuser in/out*,
Clip in and out method



B1: Connect the electrical plug from the control gear to the LED (diffuser). Neatly place the electrical plug into the fitting.



B2: Slide the diffuser into the extrusion in the locating slots, up to the electrical plug.



B3: Fasten the end plates to the fitting using an allen key.
Ensure the diffuser is securely in place.

4. **B:** If clipping in/out the diffuser in the locating slots is possible then **complete B1, B2 and B3.**

Ensure the electrical cables does not get trapped between the fitting and the diffuser.



5

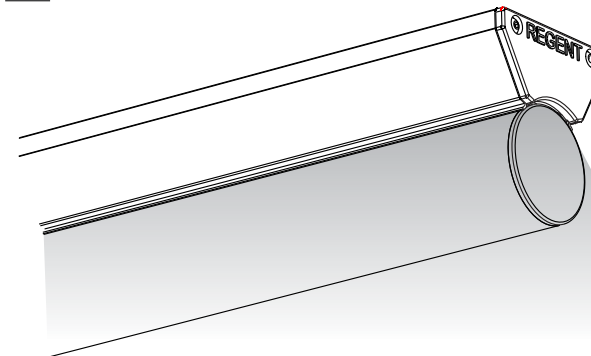


REGENT
LIGHTING
SOLUTIONS

5. If the control gear/LED is integrated, the fitting cannot be maintained or serviced and therefore the entire fitting will need to be replace.

For replacement of the fitting, please kindly contact Regent Lighting.

6



6. Switch on the power supply.