



Save These Instructions for Future Reference



Tula Bulkhead

ALL CONNECTIONS TO BE CARRIED OUT BY A QUALIFIED ELECTRICIAN
PLEASE READ CAREFULLY BEFORE STARTING INSTALLATION.



⚠ WARNING

Electronic Control Device

ELECTRIC SHOCK HAZARD
This equipment is to be serviced by trained personnel only.

Tula Bulkhead

save These Instruction for Future Reference

Electrical products can cause death, injury, or damage to property. Installation of this product must be carried out by a qualified electrician, in compliance with SANS 10142 or corresponding regulations of the country of installation. On completion of installation, the Certificate of Compliance must be updated.

WARNING: TO AVOID FIRE, SHOCK OR DEATH
TURN OFF POWER AT CIRCUIT BREAKER OR FUSE AND TEST THAT THE POWER IS OFF BEFORE WIRING

ALL LUMINAIRES SUPPLIED AND TO BE INSTALLED ABOVE AND BELOW 5 METERS ARE IN COMPLIANCE WITH SANS 60598 SECTION 3.5.6 ACCORDING TO THE MANUFACTURER GUARANTEE AND WARRANTY

Regent Lighting reserves the right to change specifications modify designs and discontinue items without incurring obligation and whilst every effort is made to ensure that descriptions, specifications and other information in this catalogue are correct, no warranty is given in respect thereof and the company shall not be liable for any error therein.

www.regentlight.co.za

REGENT LIGHTING A DIVISION OF WAHL INDUSTRIES.

3 - 13 MAIN REEF SERVICE ROAD, CORNER
SPRINGBOK AND MAIN REEF ROAD, INDUSTRIAL,
JOHANNESBURG, SOUTH AFRICA.
TEL : +27 11 474 0171

September 2017

INSTALLATION INSTRUCTIONS

PLEASE READ CAREFULLY BEFORE STARTING INSTALLATION.
ALL CONNECTIONS TO BE CARRIED OUT BY A QUALIFIED ELECTRICIAN

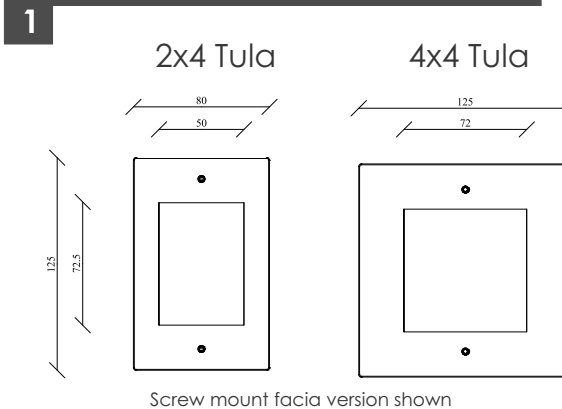


⚠ WARNING

Electronic Control Device

ELECTRIC SHOCK HAZARD
This equipment is to be serviced by trained personnel only.

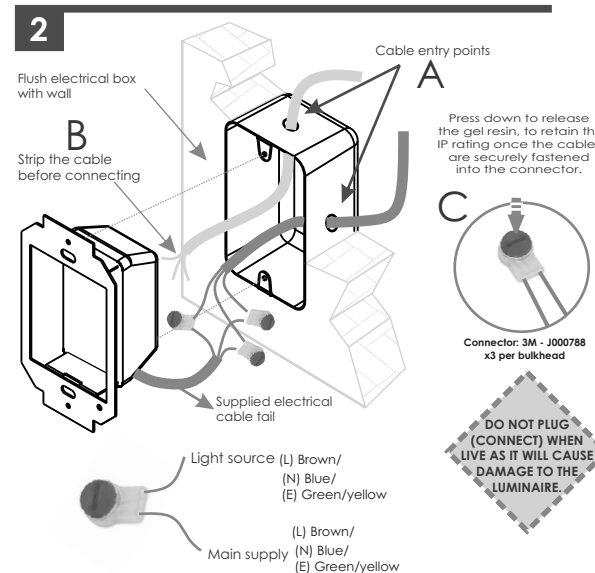
DO NOT CONNECT THE FITTING LIVE



Requirements:

Be sure the electricity to the system you are working on is isolated. Two counter sunk screws/wall plugs, if required*. Otherwise magnets will be supplied. Standard 2x4 or 4x4 electrical connector box, either PVC or galvanised steel. Ensure the connector box is positioned correctly.

1. Select the required position for the luminaire, and recess the correct connector box into the mounting surface.



2. **A.** Feed the electrical cable through the connector box. Ensure the correct cable entry is selected.

B. Strip the main power supply cable (Live, neutral and earth), before connecting. Separately connect the Live, Neutral and Earth from the mains power supply to the electrical cable tail supplied on the fitting using 3 resin connectors (**Connector: 3M - J000788**) to maintain the IP rating.

C. Inset the two corresponding cables completely into the connectors. Push the button on the connector (indicated in red/orange) to release the gel resin once the electrical cables are secure.



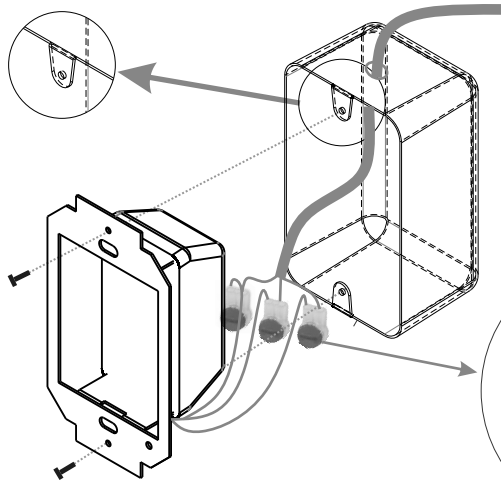
Important Safety Instructions

- This product should be installed by a competent person i.e. Qualified electrician.
- This product requires a constant stable electrical supply 220V - 240V VAC 50Hz - alternating current.
- The product must be regularly maintained, including the replacement of lamps/LED timeously.
- This product could be HAZARDOUS if not used correctly, it could cause electric shock, serious bodily harm or death.
- This product is not a toy, please keep away from children.
- This product may contain small parts that can be swallowed.



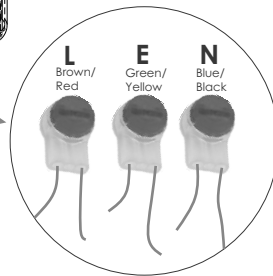
- Use only the correct light bulbs/LED as stipulated on the carton for the product.
- Any modifications of this product after supply will result in the guarantee being void.
- Spare parts may become unavailable over time. Items can vary slightly from the picture on the carton.
- Coastal humidity can affect the longevity of the light fitting over time.
- Be sure to follow the steps in the order given.
- Read instructions carefully.

3



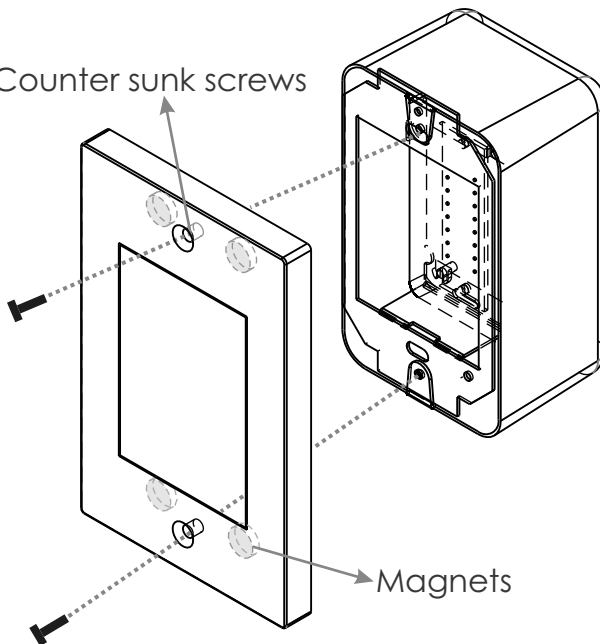
3. Fix the base mounting plate to the connector box using stainless steel screws.

Ensure that there are no exposed conductors, loose strands or trapped insulation.



4

Counter sunk screws



4. A. Screw mount:

Align and fasten the diffuser on the trim ring to the body through the two countersunk stainless steel allen head screws, with an allen key.

B. Magnet mount:

Alternatively, if ordered, align and secure the trim ring to the body using the magnets supplied on the trim ring.

5

5. If the control gear is integrated, the fitting cannot be maintained or serviced and therefore the entire fitting will need to be replaced.

For replacement of the fitting, please kindly contact Regent Lighting.



REGENT
LIGHTING
SOLUTIONS

6

6. Switch on power supply

