



Save These Instructions for Future Reference



Voyager 3

ALL CONNECTIONS TO BE CARRIED OUT BY A QUALIFIED ELECTRICIAN
PLEASE READ CAREFULLY BEFORE STARTING INSTALLATION.



⚠ WARNING

Electronic/Magnetic Control Device

ELECTRIC SHOCK HAZARD
This equipment is to be serviced by trained personnel only.

Voyager 3

Save These Instructions for Future Reference

Electrical products can cause death, injury, or damage to property. Installation of this product must be carried out by a qualified electrician, in compliance with SANS 10142 or corresponding regulations of the country of installation. On completion of installation, the Certificate of Compliance must be updated.

WARNING: TO AVOID FIRE, SHOCK OR DEATH
TURN OFF POWER AT CIRCUIT BREAKER OR FUSE AND TEST THAT THE POWER IS OFF BEFORE WIRING

ALL LUMINAIRES SUPPLIED AND TO BE INSTALLED ABOVE AND BELOW 5 METERS ARE IN COMPLIANCE WITH SANS 60598 SECTION 3.5.6 ACCORDING TO THE MANUFACTURER GUARANTEE AND WARRANTY

Regent Lighting reserves the right to change specifications modify designs and discontinue items without incurring obligation and whilst every effort is made to ensure that descriptions, specifications and other information in this catalogue are correct, no warranty is given in respect thereof and the company shall not be liable for any error therein.

www.regentlight.co.za

REGENT LIGHTING A DIVISION OF WAHL INDUSTRIES.

3 - 13 MAIN REEF SERVICE ROAD, CORNER
SPRINGBOK AND MAIN REEF ROAD, INDUSTRIAL,
JOHANNESBURG, SOUTH AFRICA.
TEL : +27 11 474 0171

August 2017

INSTALLATION INSTRUCTIONS

PLEASE READ CAREFULLY BEFORE STARTING INSTALLATION.
ALL CONNECTIONS TO BE CARRIED OUT BY A QUALIFIED ELECTRICIAN

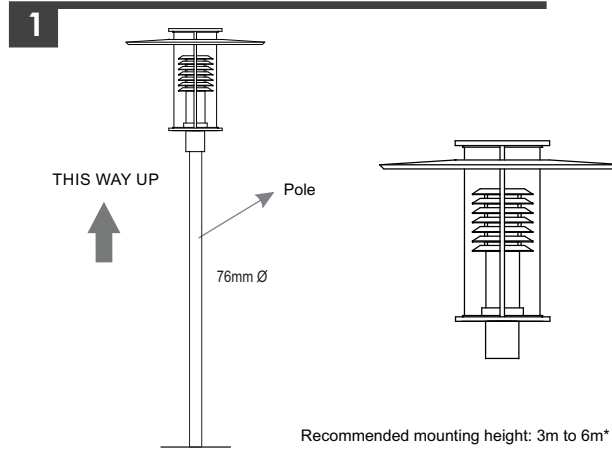


⚠ WARNING

Electronic/Magnetic Control Device

ELECTRIC SHOCK HAZARD
This equipment is to be serviced by trained personnel only.

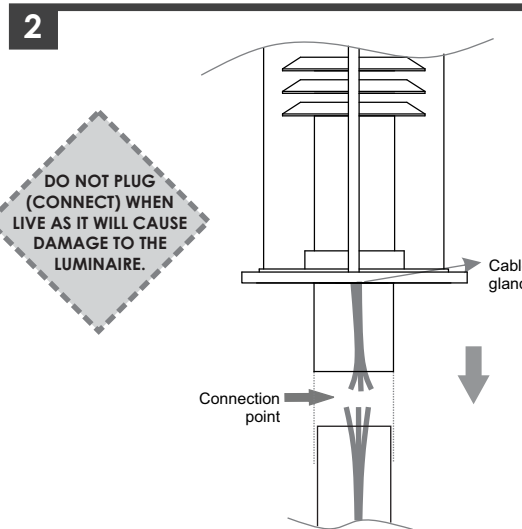
DO NOT CONNECT THE FITTING LIVE



Requirements:

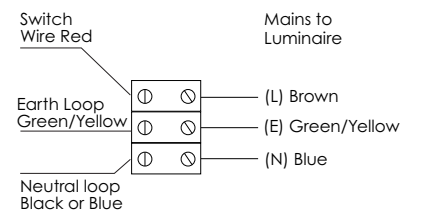
- Be sure the electricity to the system you are working on is isolated.
- If the main supply power (live) is on, it will cause damage to the luminaire.

1. Ensure the pole is installed correctly and that the pole has the correct diameter of $\varnothing 76\text{mm}$.



2. Connect the cables fed through the cable gland at the bottom of the spigot to the connector block.

SWITCHED LIVE – (Red or Brown) to terminal marked L
NEUTRAL – (Black or Blue) to terminal marked N
EARTH – (Green/Yellow) to terminal marked.





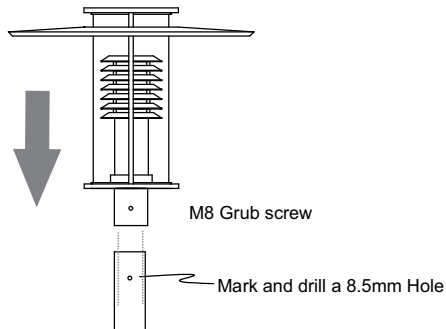
Important Safety Instructions

- This product should be installed by a competent person i.e. Qualified electrician.
- This product requires a constant stable electrical supply 220V - 240V VAC 50Hz - alternating current.
- The product must be regularly maintained, including the replacement of lamps/LED timeously.
- This product could be HAZARDOUS if not used correctly, it could cause electric shock, serious bodily harm or death.
- This product is not a toy, please keep away from children.
- This product may contain small parts that can be swallowed.



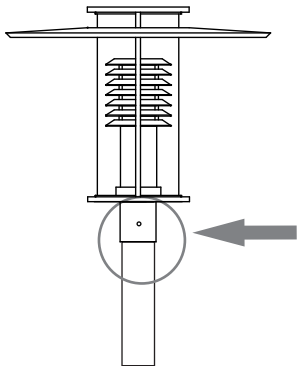
- Use only the correct light bulbs/LED as stipulated on the carton for the product.
- Any modifications of this product after supply will result in the guarantee being void.
- Spare parts may become unavailable over time. Items can vary slightly from the picture on the carton.
- Coastal humidity can affect the longevity of the light fitting over time.
- Be sure to follow the steps in the order given.
- Read instructions carefully.

3



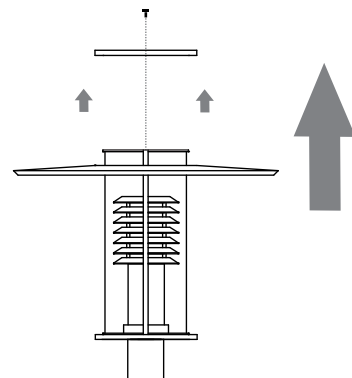
3. Place the spigot of the post top on the pole, align and tighten the M8 three grub screws.

4



4. Ensure that there are no exposed conductors, loose strands or trapped/pinched insulation between the pole and the spigot.

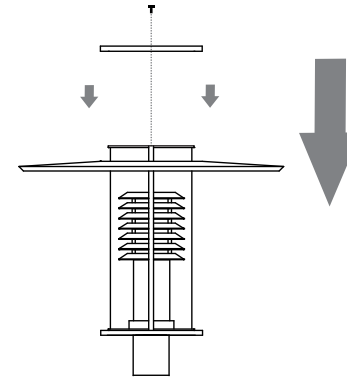
5



5. To install or change the lamp/LED, unscrew the stainless steel screws on the top of the lid and remove the lid from the main body, taking care of any loose parts which may fall.

Ensure the new lamp/LED is the correct wattage, according to the specification and is securely located in the lamp holder or securely mounted on the base plate.

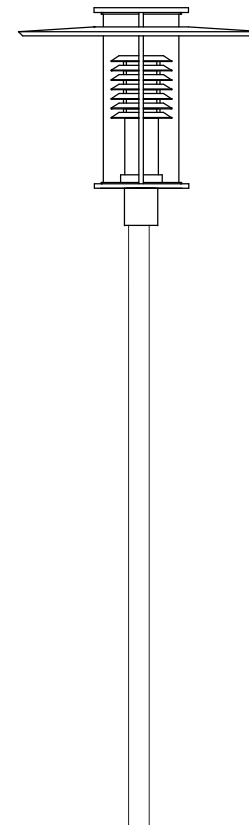
6



6. Replace the lid and secure the lid to the body.

Ensure the gasket is securely in place before fastening the lid to the body.

7



7. Switch on the power supply.