



ZENA 65

MODEL NUMBER

Y130 - ZENA 65

SPECIFICATIONS

- HOUSING :** Die cast and extruded aluminium.
- HEAT SINK :** Aluminium extrusion, anodised black.
- DIFFUSER :** Clear. Opal diffuser available on request.
- LIGHT SOURCE :** The fitting is designed to operate a 8W LED.
- REFLECTOR :** Vacuum metalised medium reflector.
Beam angle 40°.
- FINISH :** Powder coated.
- MOUNTING :** Ceiling mounted recessed.
- COLOUR CONSISTENCY :** Mac Adams 3 SDCM
- LUMEN MAINTENANCE :** 50000h (L90B10) @ 85° C.
- CCT :** 3000K or 4000K.
- CRI :** 80.
- DIMENSIONS :** 70mm Ø x 55mm.
- CUT OUT :** 65mm Ø.
- APPLICATION :** Suitable for indoor use only.
Operating Temperature (T_a) - 20° C to +30° C.
Weight : 0.5 Kg.
Fitting supplied with external power supply.
DALI compatible on request.



LIGHT SOURCE

LED COB 9mm

LED Current	Luminaire Wattage (W)	CRI	Colour Temp	Nominal Flux (lm)
200mA	8W	80	4000K 3000K	815 lm

APPLICATION AREAS

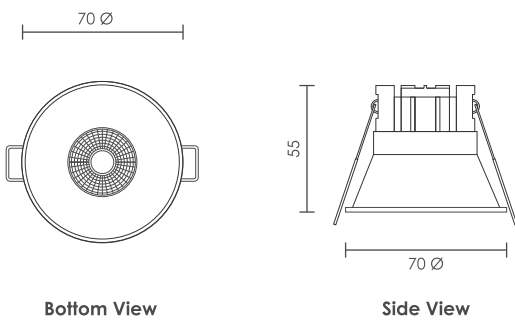
- Indoor application.
- Symmetrical distribution.
- Commercial developments.
- Retail developments.
- Shopping malls.
- Public buildings.



DIMENSIONS IN MM

HOLE CUT OUT

65mm Ø.



BEAM DEGREE

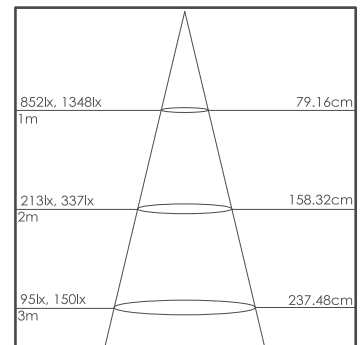
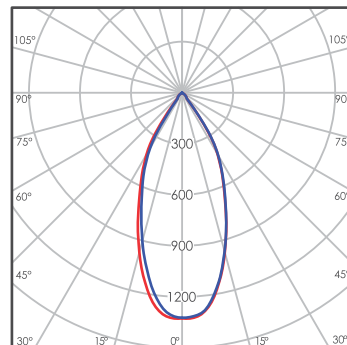
40°

COLOURS

White (WH)

LIGHT DISTRIBUTION

LED 8W 40° Beam



cd/klm
— C0 - C180 — C90 - C270

Note : The curves indicate the illuminated area and the average illumination when the luminaire is at different distance.

